



# TAI-SAW TECHNOLOGY CO., LTD.

No. 3, Industrial 2nd Rd., Ping-Chen Industrial District,  
Taoyuan, 324, Taiwan, R.O.C.

TEL: 886-3-4690038 FAX: 886-3-4697532

E-mail: [tstsales@mail.taisaw.com](mailto:tstsales@mail.taisaw.com) Web: [www.taisaw.com](http://www.taisaw.com)

## Approval Sheet For Product Specification

Issued Date:

Product Name: SAW Filter 340 MHz SMD 3.8x3.8mm

TST Parts No.:TA1002A

Customer Parts No.: \_\_\_\_\_

Company: _____
Division: _____
Approved by : _____
Date: _____

Checked by: \_\_\_\_\_ David Chang 張閔智

Approval by: \_\_\_\_\_ Francis Chen 陳其仁

Date: \_\_\_\_\_ 2009/03/13



# TAI-SAW TECHNOLOGY CO., LTD.

No. 3, Industrial 2nd Rd., Ping-Chen Industrial District,  
Taoyuan, 324, Taiwan, R.O.C.

TEL: 886-3-4690038 FAX: 886-3-4697532

E-mail: [tstsales@mail.taisaw.com](mailto:tstsales@mail.taisaw.com) Web: [www.taisaw.com](http://www.taisaw.com)

## SAW Filter 340 MHz

MODEL NO.: TA1002A

REV. NO.: 1

### A. MAXIMUM RATING:

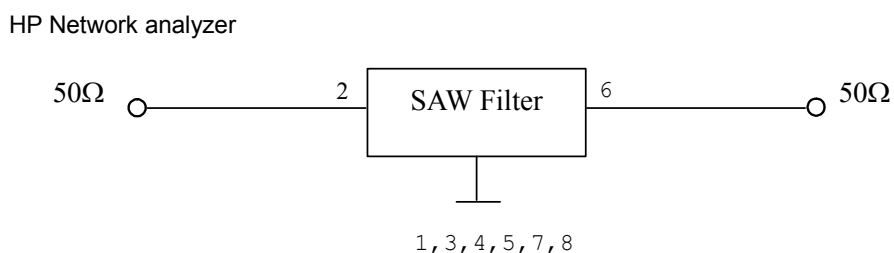
1. Input Power Level: 10 dB<sub>m</sub>
2. DC voltage: 3 V
3. Operating Temperature: -10°C to +65°C
4. Storage Temperature: -40°C to +85°C

RoHS Compliant  
Lead free  
Lead-free soldering

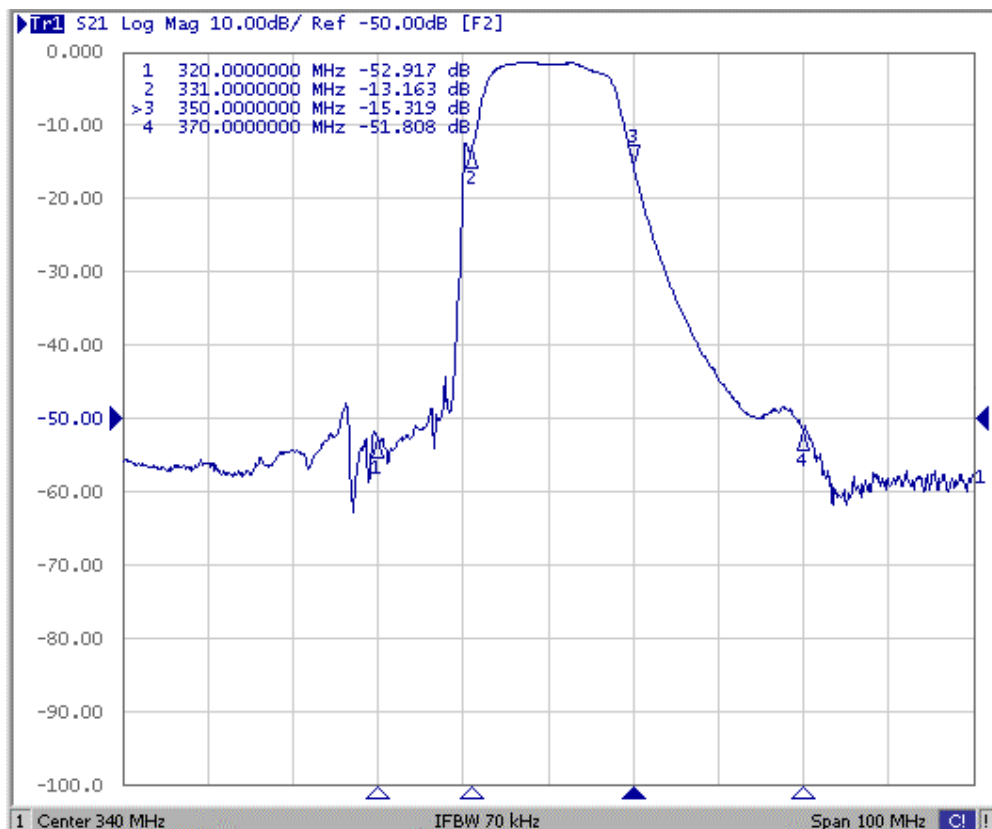
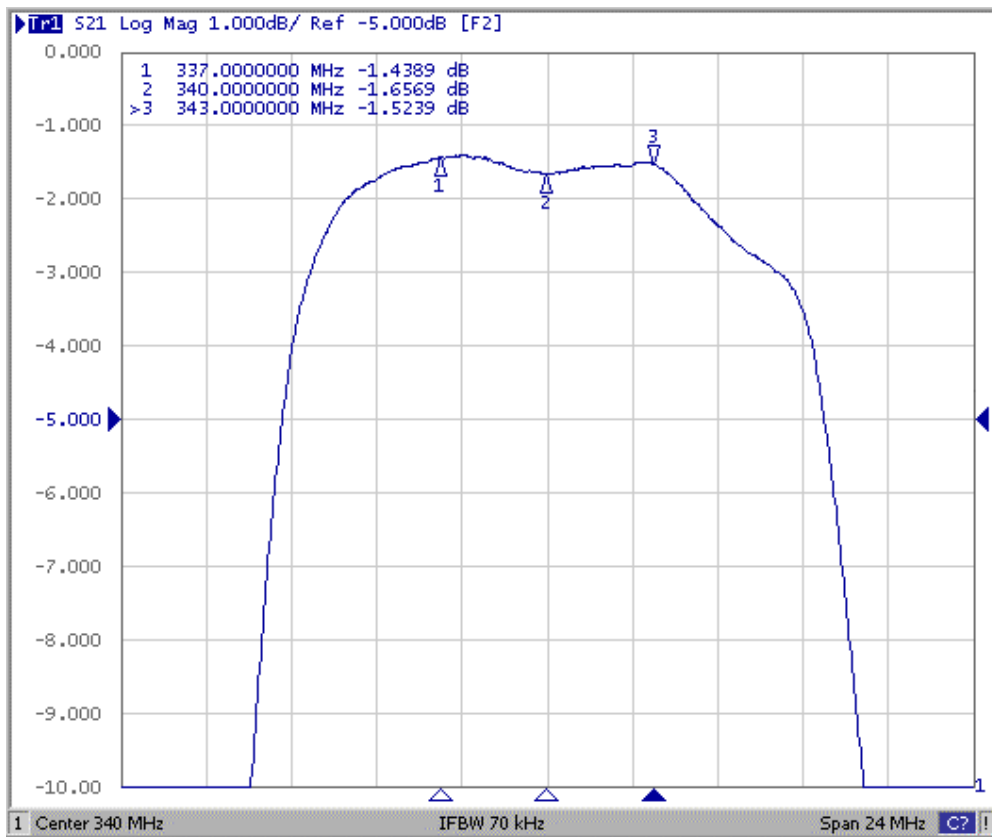
### B. ELECTRICAL CHARACTERISTICS:

Item	Unit	Min.	Type.	Max.
Center frequency Fc	MHz	-	340	-
Insertion Loss 337~343MHz IL	dB	-	1.7	3.5
Ripple 337~343MHz	MHz	-	0.3	1.5
Return Loss 337~343MHz	dB	-	-14	-9
Absolute Attenuation:(Reference level from 0dB)				
300 to 320 MHz	dB	40	48	-
320 to 331 MHz	dB	6	11	-
350 to 370 MHz	dB	6	12	-
370 to 400 MHz	dB	40	51	-
Temperature coefficient of frequency	ppm/k	-	-37	-
Source impedance Zs	Ω	-	50	-
Load impedance ZL	Ω	-	50	-

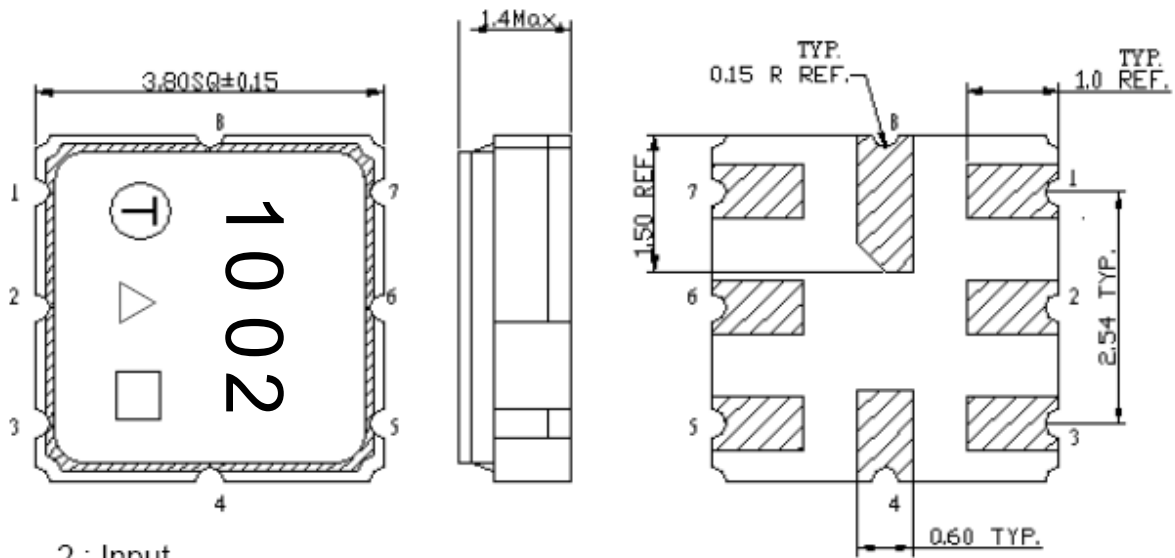
### C. MEASUREMENT CIRCUIT:



## D. FREQUENCY CHARACTERISTICS:.



**E.OUTLINE DRAWING:**

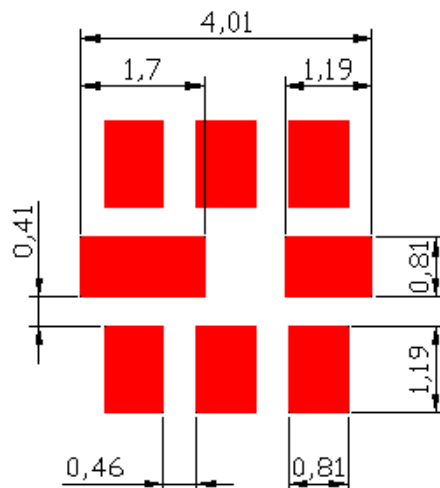


- 2 : Input
- 6: Output
- 1,3,4,5,7,8: Ground
- △ : Year Code
- : Date Code (W01->A, W02->B,...,W52->z)

△ Product Year Code

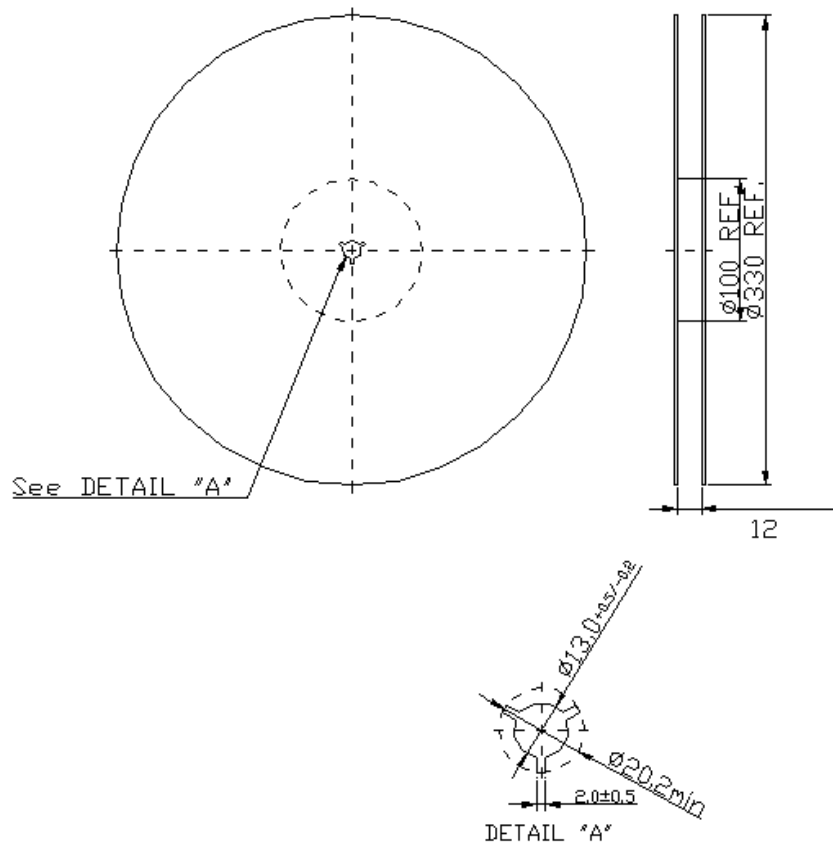
Year	2007	2008
	2009	2010
	2011	2012
Product Code	A	a

**F. PCB FOOTPRINT:**

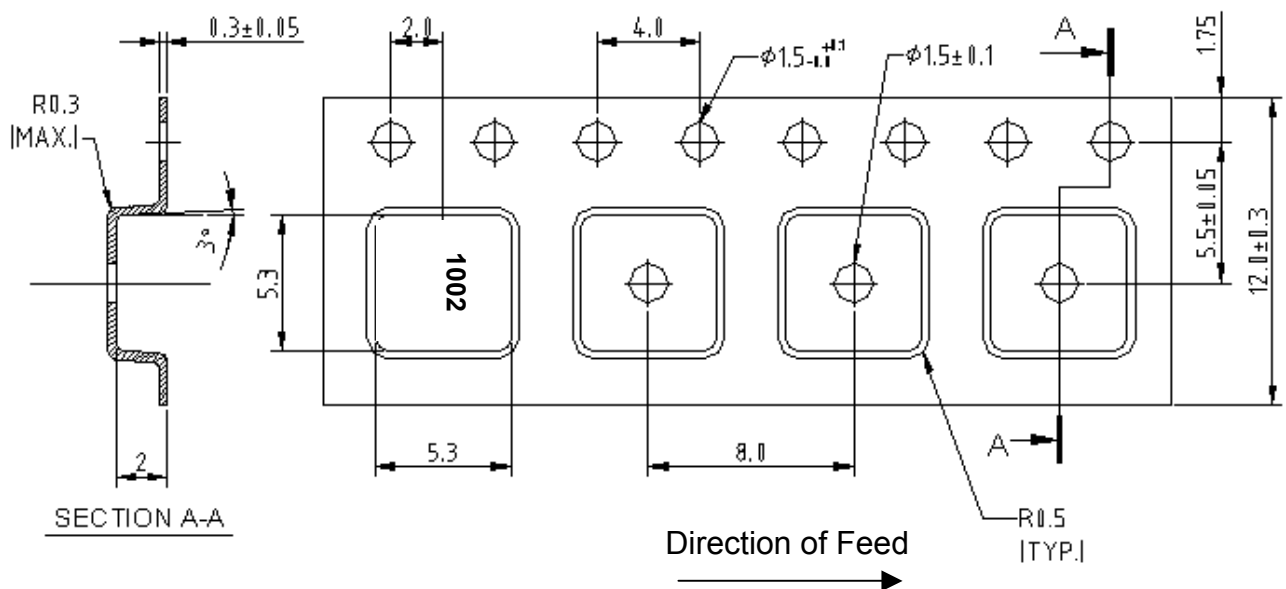


## G. PACKING:

### 1. REEL DIMENSION



### 2. TAPE DIMENSION



## H.RECOMMENDED REFLOW PROFILE:

